

PRODUCT INFORMATION PACKET

Model No: 056B17V5304
Catalog No: N285
1,1800,TENV,56HC,1/60/115/208-230
Washdown Duty



Regal and Marathon are trademarks of Regal Beloit Corporation or one of its affiliated companies.
©2018 Regal Beloit Corporation, All Rights Reserved. MC017097E





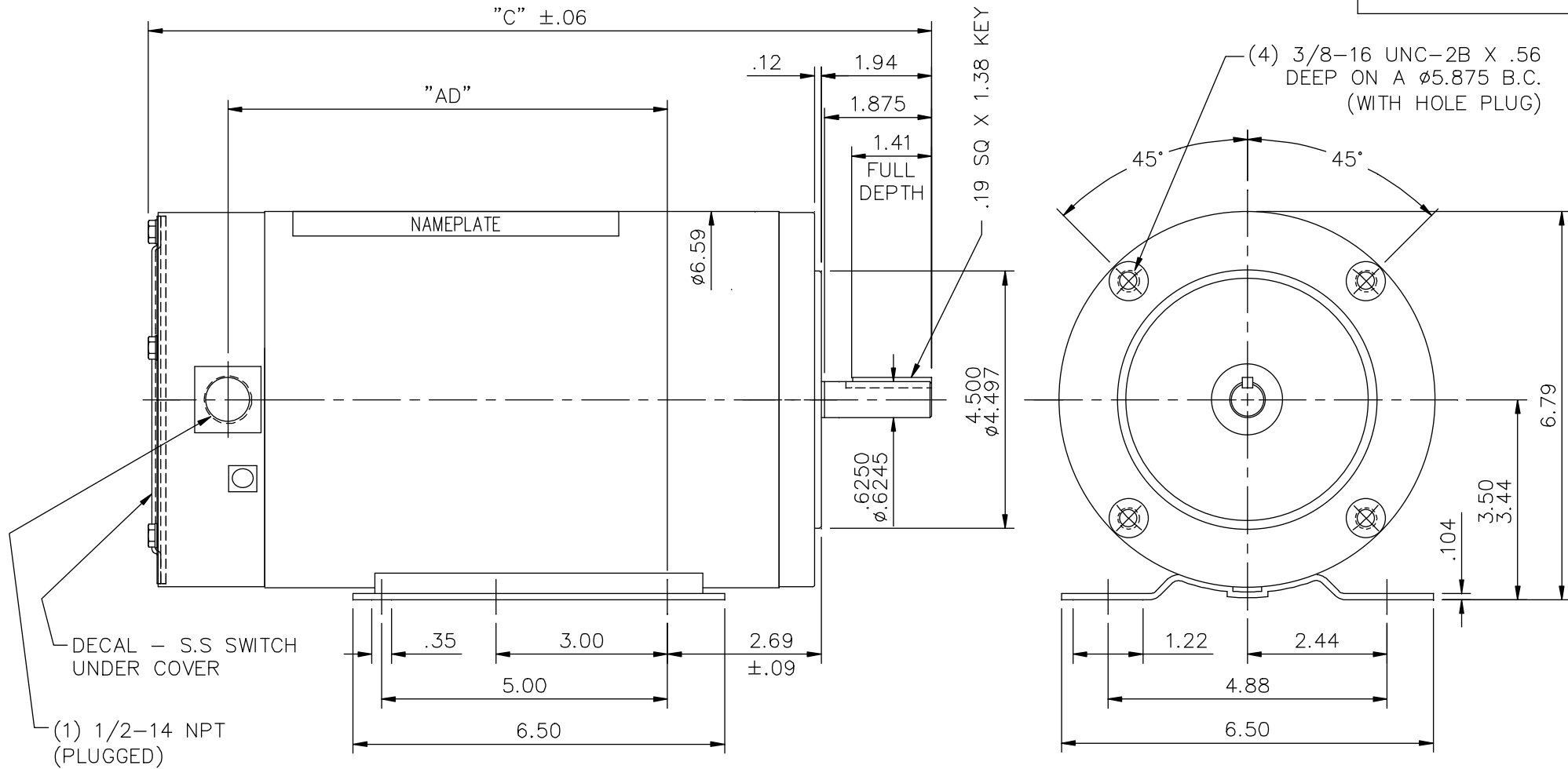
Nameplate Specifications

Output HP	1 Hp	Output KW	0.75 kW
Frequency	60 Hz	Voltage	115/208-230 V
Current	9.0/5.0-4.5 A	Speed	1725 rpm
Service Factor	1.15	Phase	1
Efficiency	82.5 %	Duty	Continuous
Insulation Class	F	Design Code	N
KVA Code	K	Frame	56HC
Enclosure	Totally Enclosed Non Ventilated	Overload Protector	No
Ambient Temperature	40 °C	Drive End Bearing Size	6205
Opp Drive End Bearing Size	6203	UL	Recognized
CSA	Y	CE	Y
IP Code	55		

Technical Specifications

Electrical Type	Capacitor Start Capacitor Run	Starting Method	Across The Line
Poles	4	Rotation	Selective Counterclockwise
Mounting	Rigid base	Motor Orientation	Horizontal
Drive End Bearing	Ball	Opp Drive End Bearing	Ball
Frame Material	Stainless Steel	Shaft Type	NEMA 56
Overall Length	13.7 in	Frame Length	9.00 in
Shaft Diameter	0.625 in	Shaft Extension	1.94 in
Assembly/Box Mounting	F1 Only		
Outline Drawing	034991ME-900	Connection Diagram	005259.03ME

This is an uncontrolled document once printed or downloaded and is subject to change without notice. Date Created: 07/02/2018



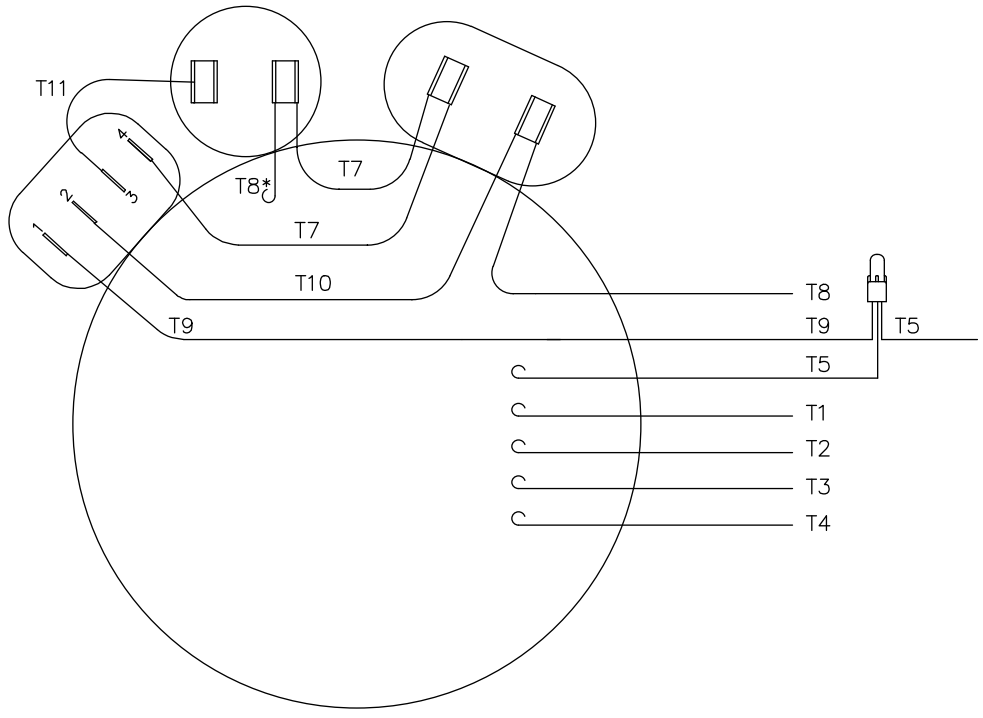
SPECIAL FEATURES:
 VITON CONDUIT BOX & COVER GASKETS
 VITON O-RINGS IN ENDBELL RABBETS
 VITON SHAFT SEAL
 BREATHER PLUGS IN L.E. ENDBELL (B.I.C.B.)
 ALL STAINLESS STEEL CONSTRUCTION

DASH NO.	"C"	"AD"
750	12.20	6.19
800	12.70	6.69
850	13.20	7.19
900	13.70	7.69

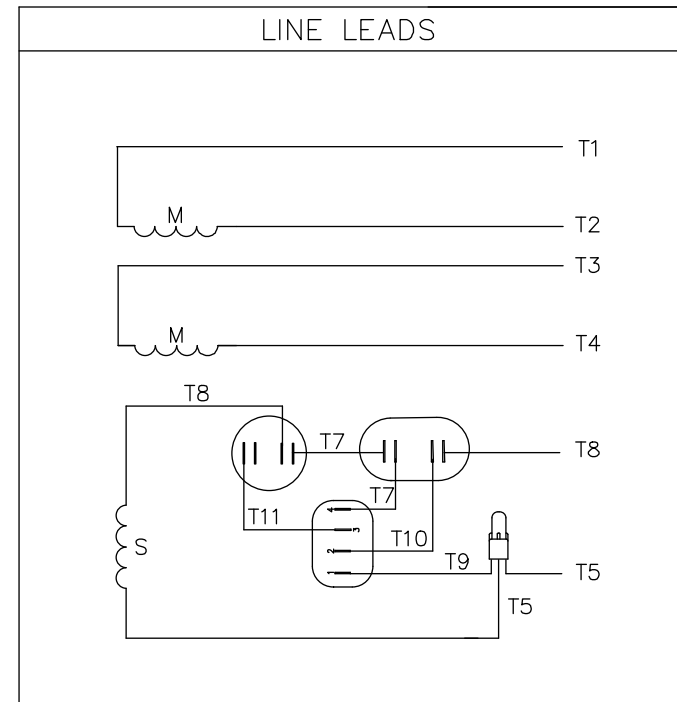
MAXIMUM FACE RUNOUT TO BE .004 T.I.R.
 MAXIMUM PILOT ECCENTRICITY .004 T.I.R.
 PERMISSIBLE SHAFT RUNOUT .002 T.I.R.

		TOLERANCES UNLESS SPECIFIED			DRAWN PVR 09/02/13	
		DEC.	INCHES		CHK JD 09/02/13	
		.X	±.1		APPD	
		.XX	±.03		SCALE 3=8	
		.XXX	±.005		REF 034991	
		.XXXX	±.0005	FMF 056C17V5303		
NO.	REVISION	BY & DATE	CHK	ANG	±1/2'	PREV
THIS DRAWING IN DESIGN AND DETAIL IS OUR PROPERTY AND MUST NOT BE USED EXCEPT IN CONNECTION WITH OUR WORK ALL RIGHTS OF DESIGN AND INVENTION ARE RESERVED THIS IS AN ELECTRONICALLY GENERATED DOCUMENT - DO NOT SCALE THIS PRINT			RFP	CAD FILE	034991ME	SIZE A
			DIST			DRAWING NO. 034991ME
						REV.

VIEW FROM OUTSIDE OF MOTOR AT SWITCH END.



*THIS LEAD MAY BE WHITE



	ROTATION FACING LEAD END	L1	L2	JOIN & INSULATE
HIGH VOLT	C.C.W.	T1	T4, T5	T2, T3 T8
	C.W.	T1	T4, T8	T2, T3 T5
LOW VOLT	C.C.W.	T1, T3 T8	T2, T4 T5	
	C.W.	T1, T3 T5	T2, T4 T8	

		TOLERANCES UNLESS SPECIFIED				DRAWN PVR 10/22/13	
		DEC.	INCHES			CHK	JD 10/22/13
		.X	±.1			APPD	
		.XX	±.01			SCALE 1=1	
		.XXX	±.005			REF 005259-03	
		.XXXX	±.0005			FMF	
NO.	REVISION	BY & DATE	CHK	ANG	±1/2'	FINISH	PREV
			RFP			CAD FILE 00525903ME	SIZE A
			DIST				DRAWING NO. 005259-03ME
THIS DRAWING IN DESIGN AND DETAIL IS OUR PROPERTY AND MUST NOT BE USED EXCEPT IN CONNECTION WITH OUR WORK ALL RIGHTS OF DESIGN AND INVENTION ARE RESERVED THIS IS AN ELECTRONICALLY GENERATED DOCUMENT - DO NOT SCALE THIS PRINT							

